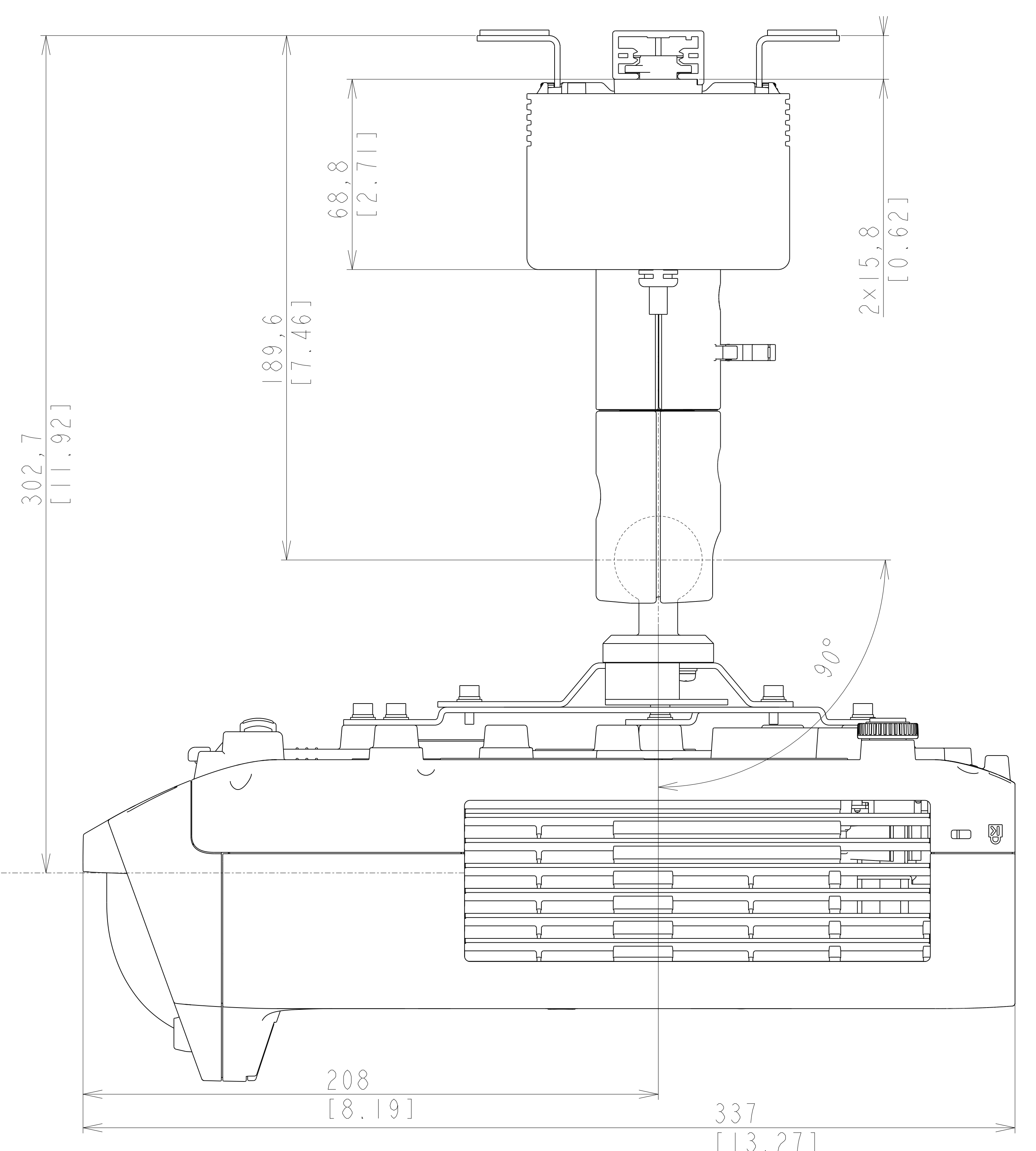
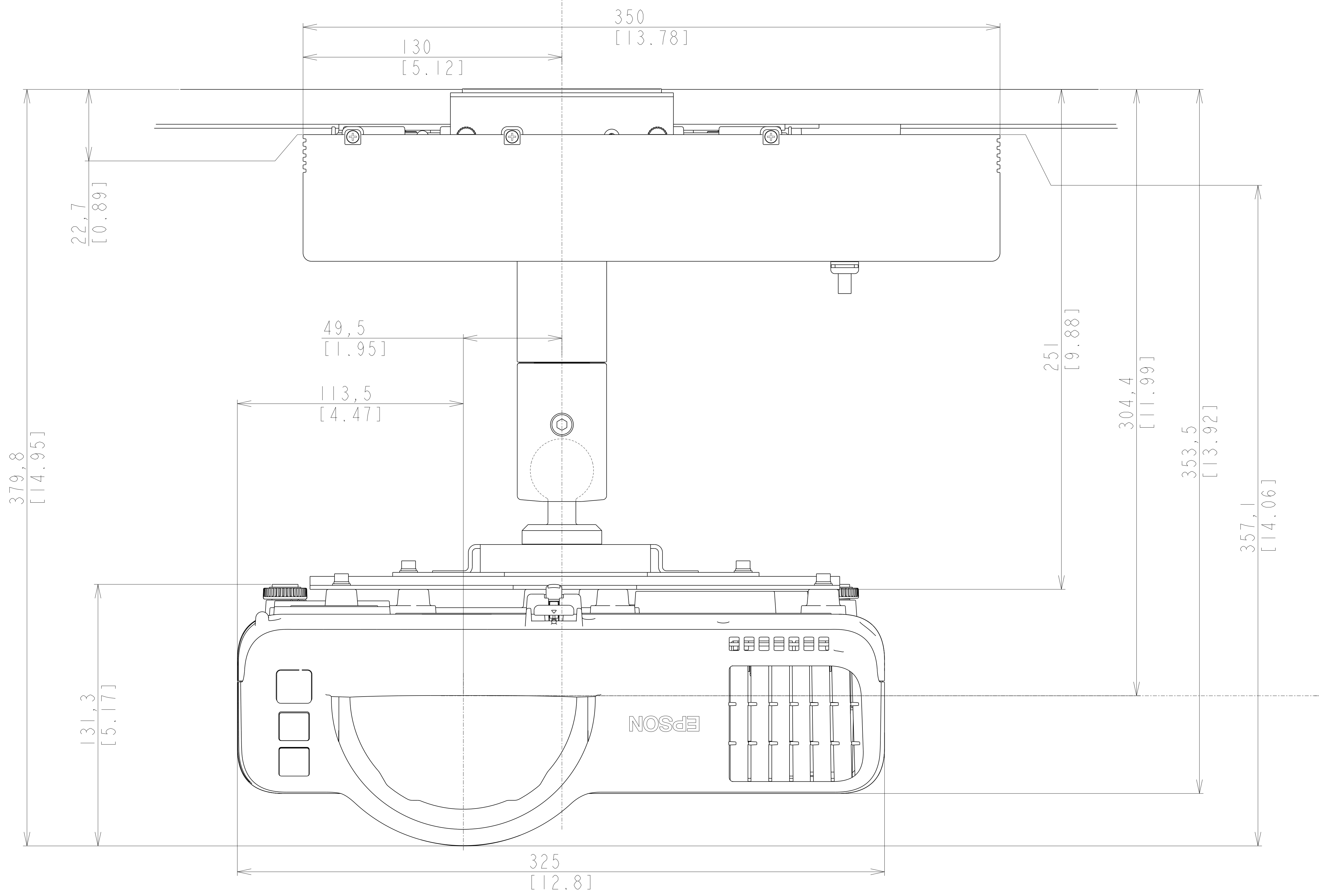


Without Rail



Notes
 Unit of dimension
 Upper: mm
 Lower: inch