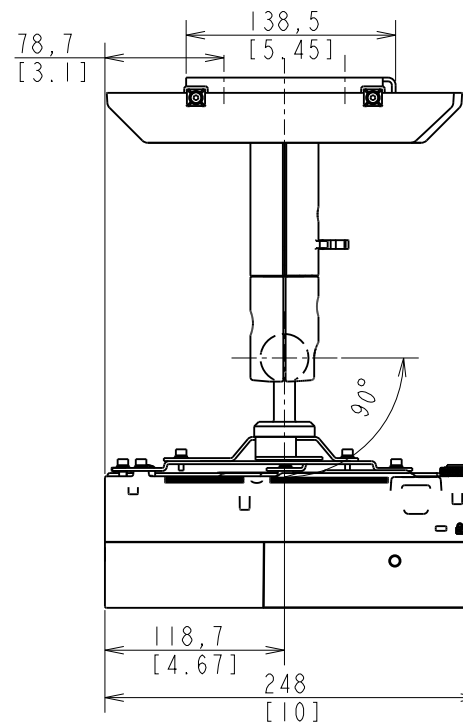
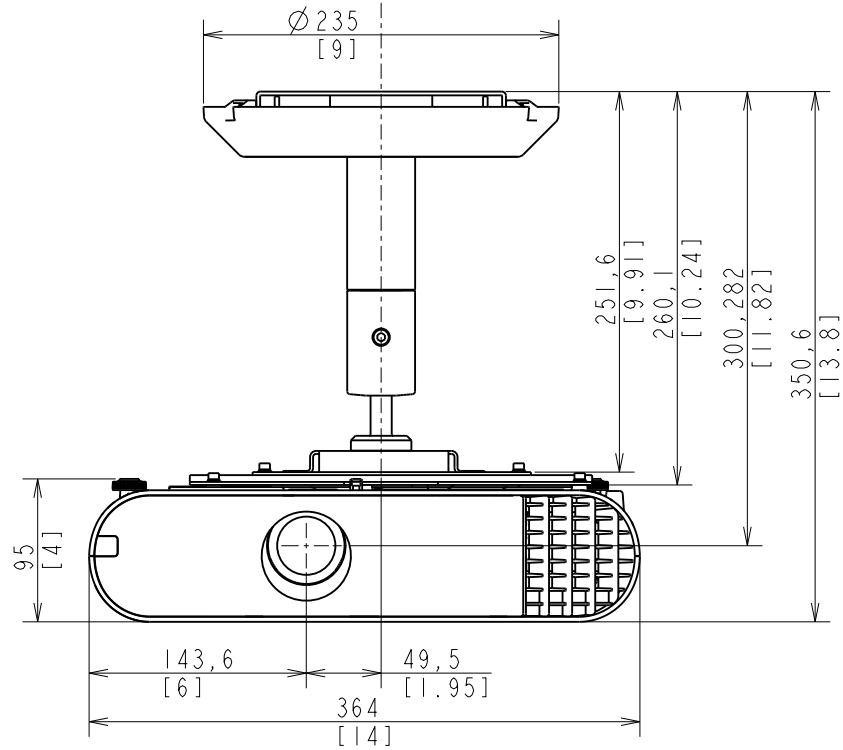
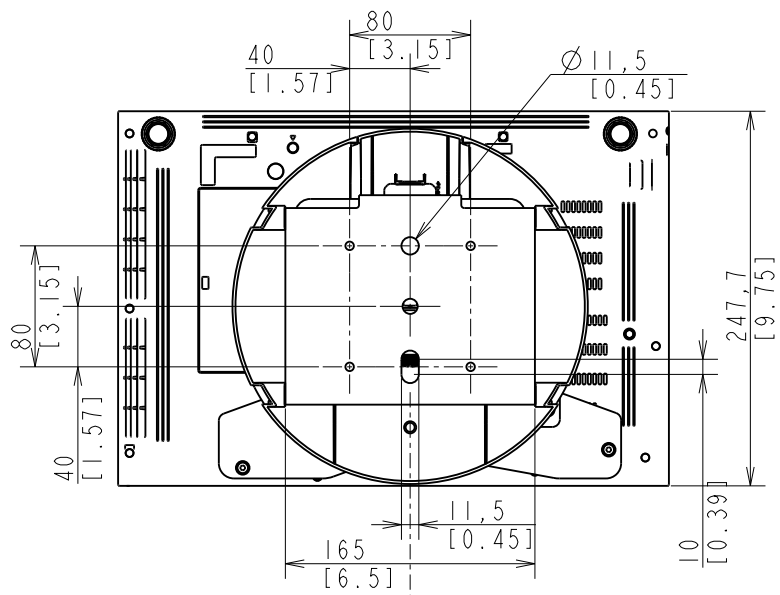


# Mounting Drawing of Ceiling Plate



unit of dimension  
upper: mm  
lower: inch