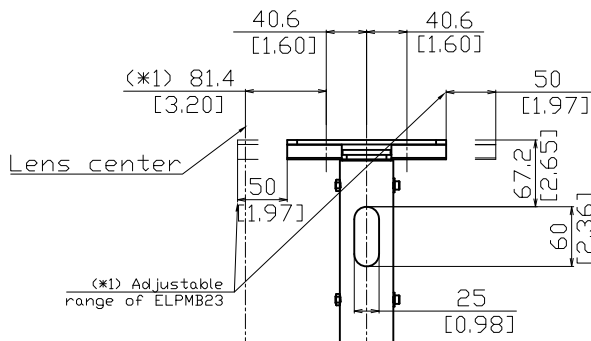
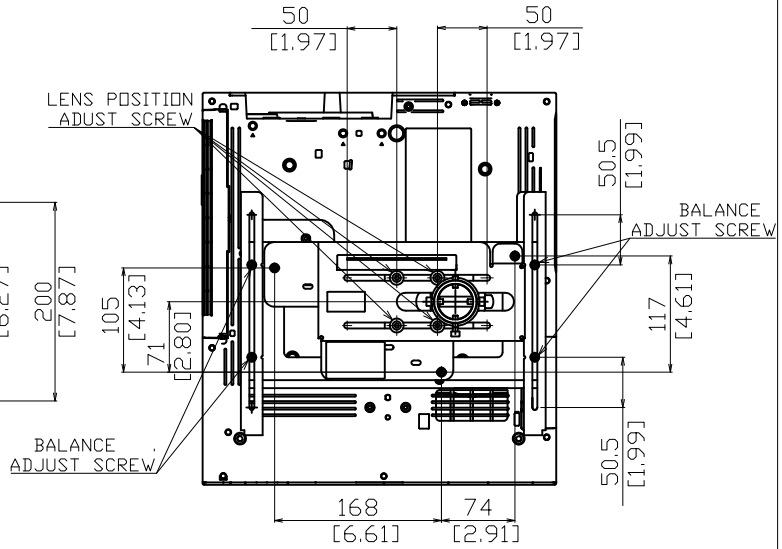
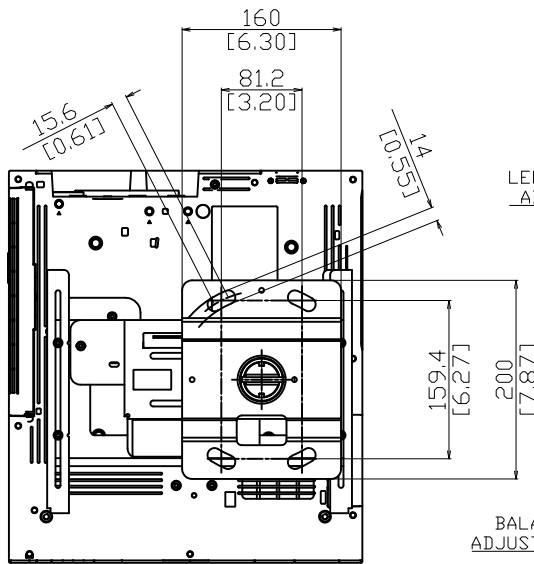
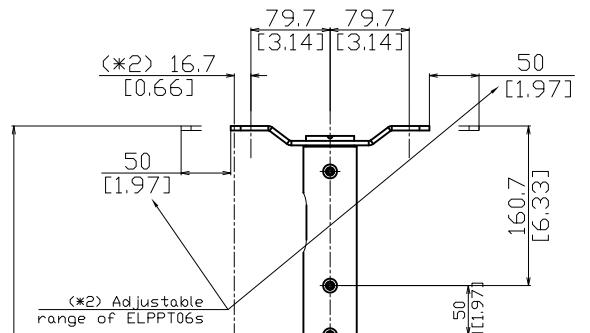


1:8(A4)

Notes
 Unit of
 Dimension
 Upper:mm
 Lower:[inch]

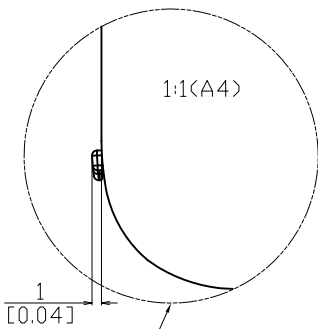


(*1) Adjustable range of ELPMB23



(*2) Adjustable range of ELPPT06s

952.5-1152.5
 [37.5-45.37]



Zoom

