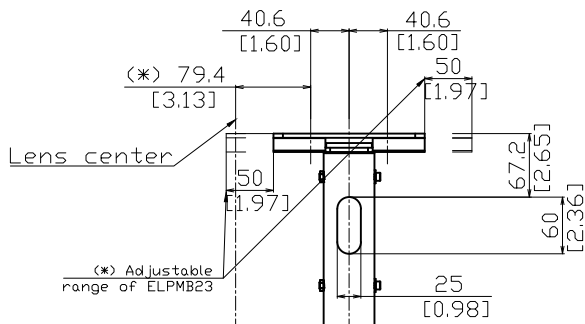
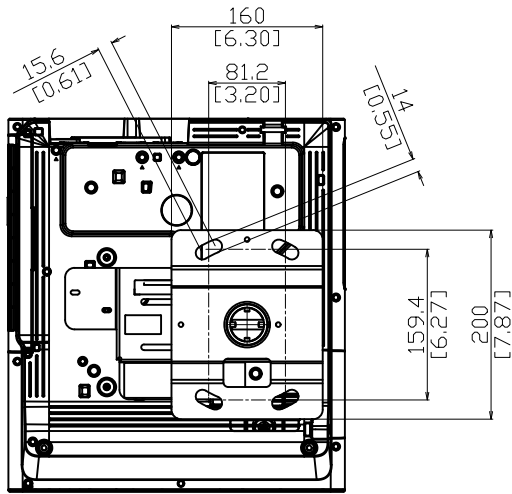
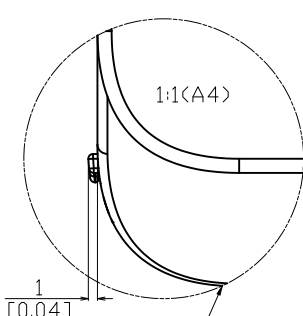
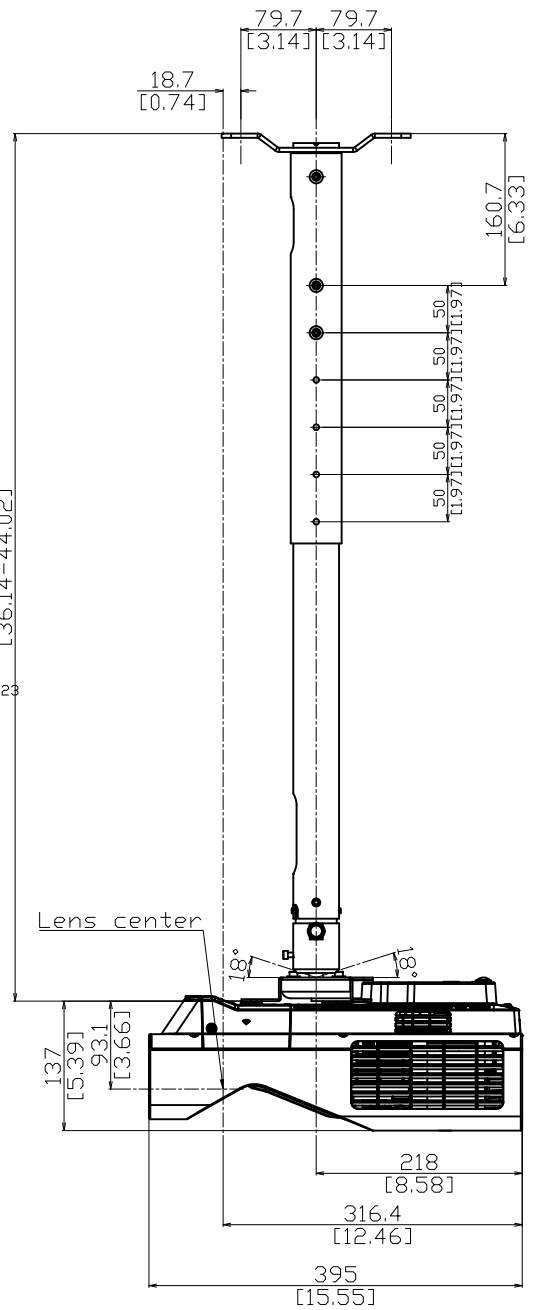


1:8(A4)

Notes
 Unit of Dimension
 Upper:mm
 Lower:[inch]



918-1118
 [36.14-44.02]



Zoom

