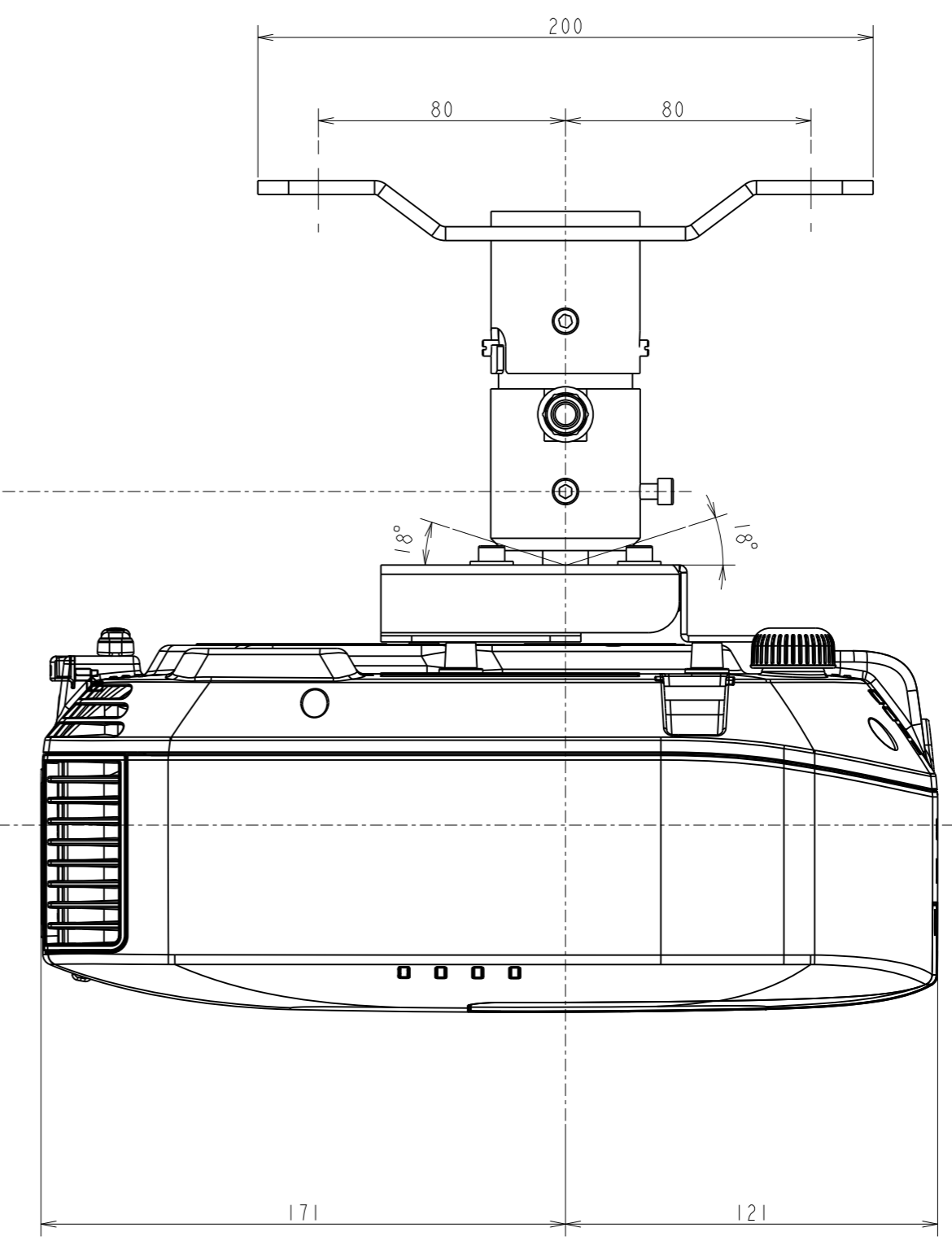
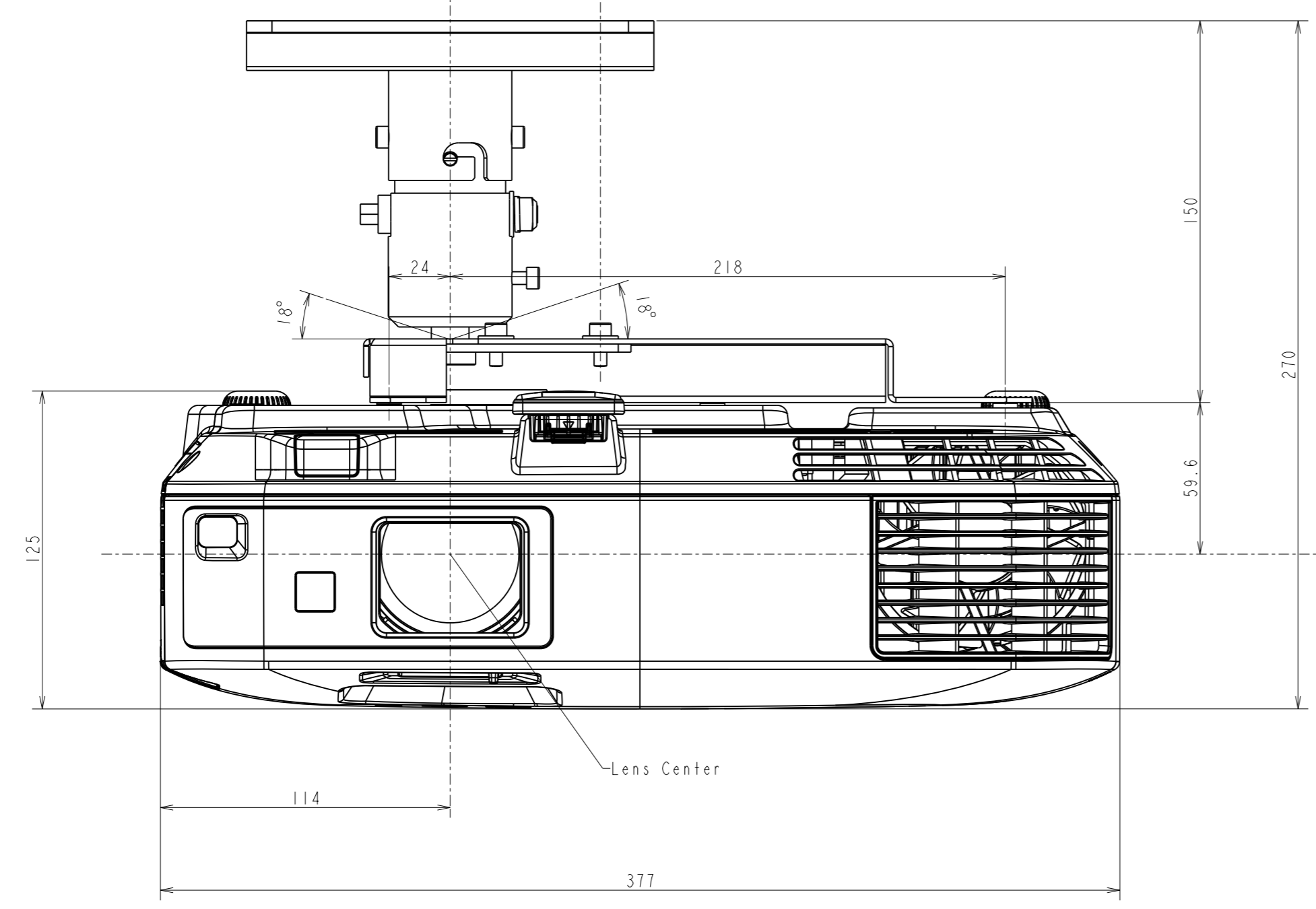


Seal Seal



(Note)
Unit of dimension
: mm