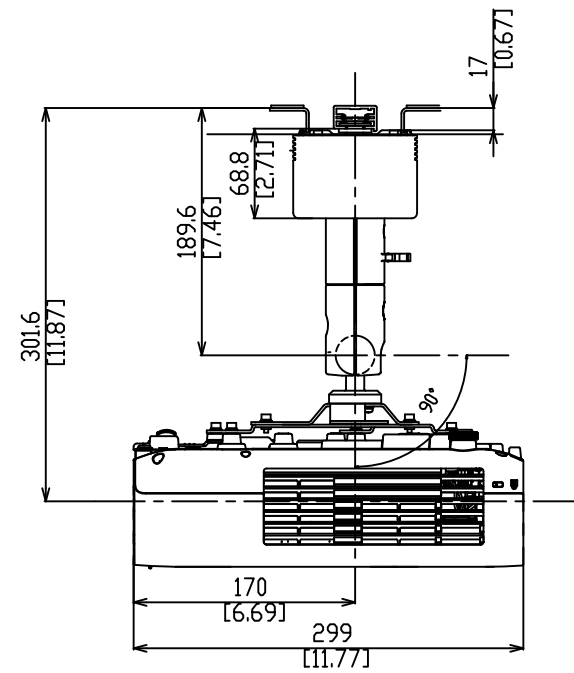
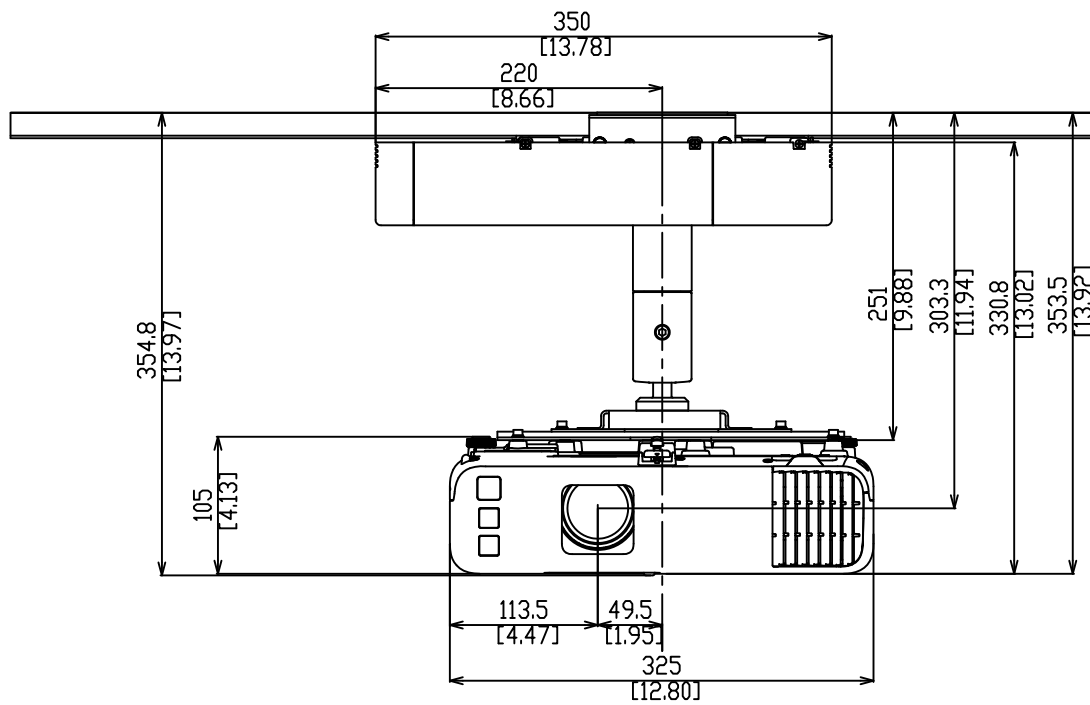


Without Rail



Notes
Unit of dimensions
Upper : mm
Lower : inch