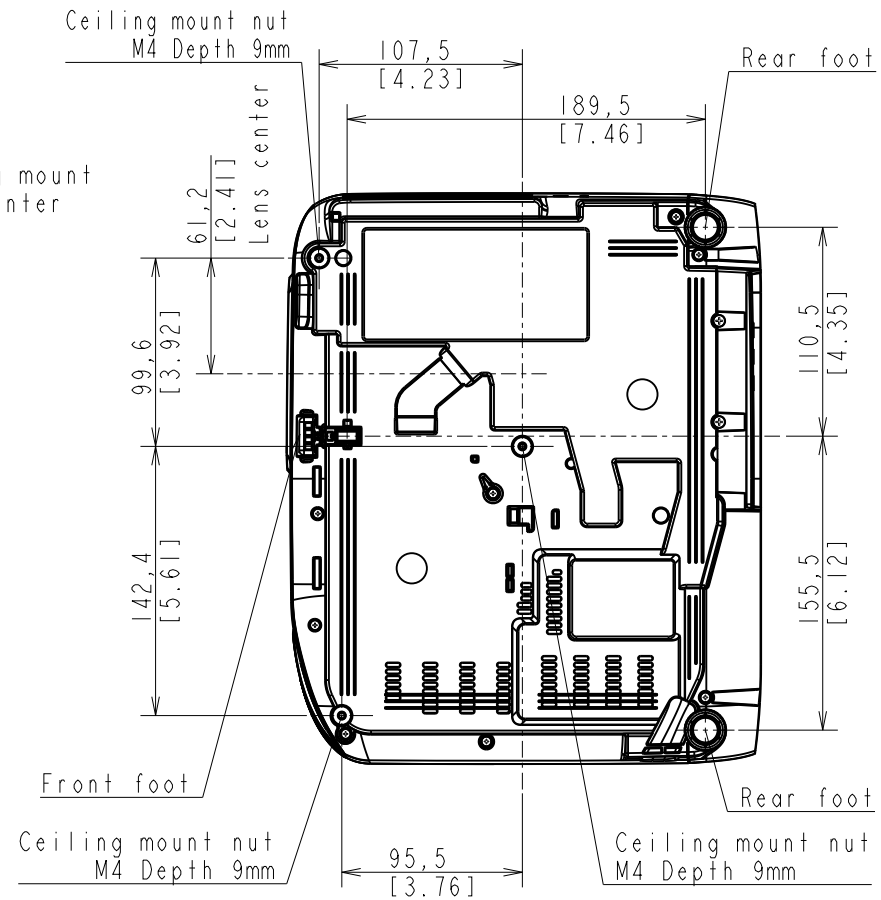


Exclude convex part

Maximum outside dimension



Notes:
Unit of Dimension
Upper: mm
Lower: [inch]