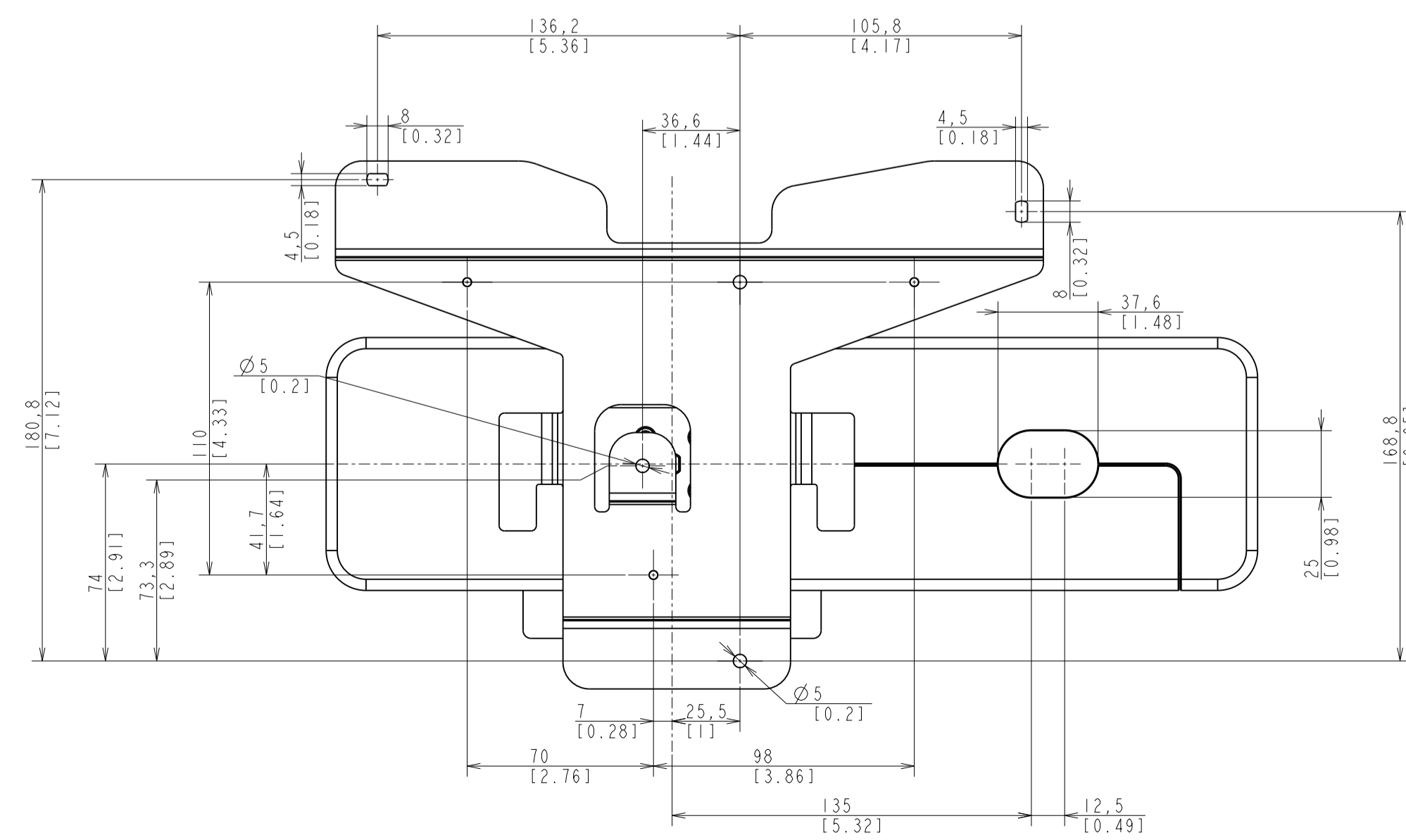
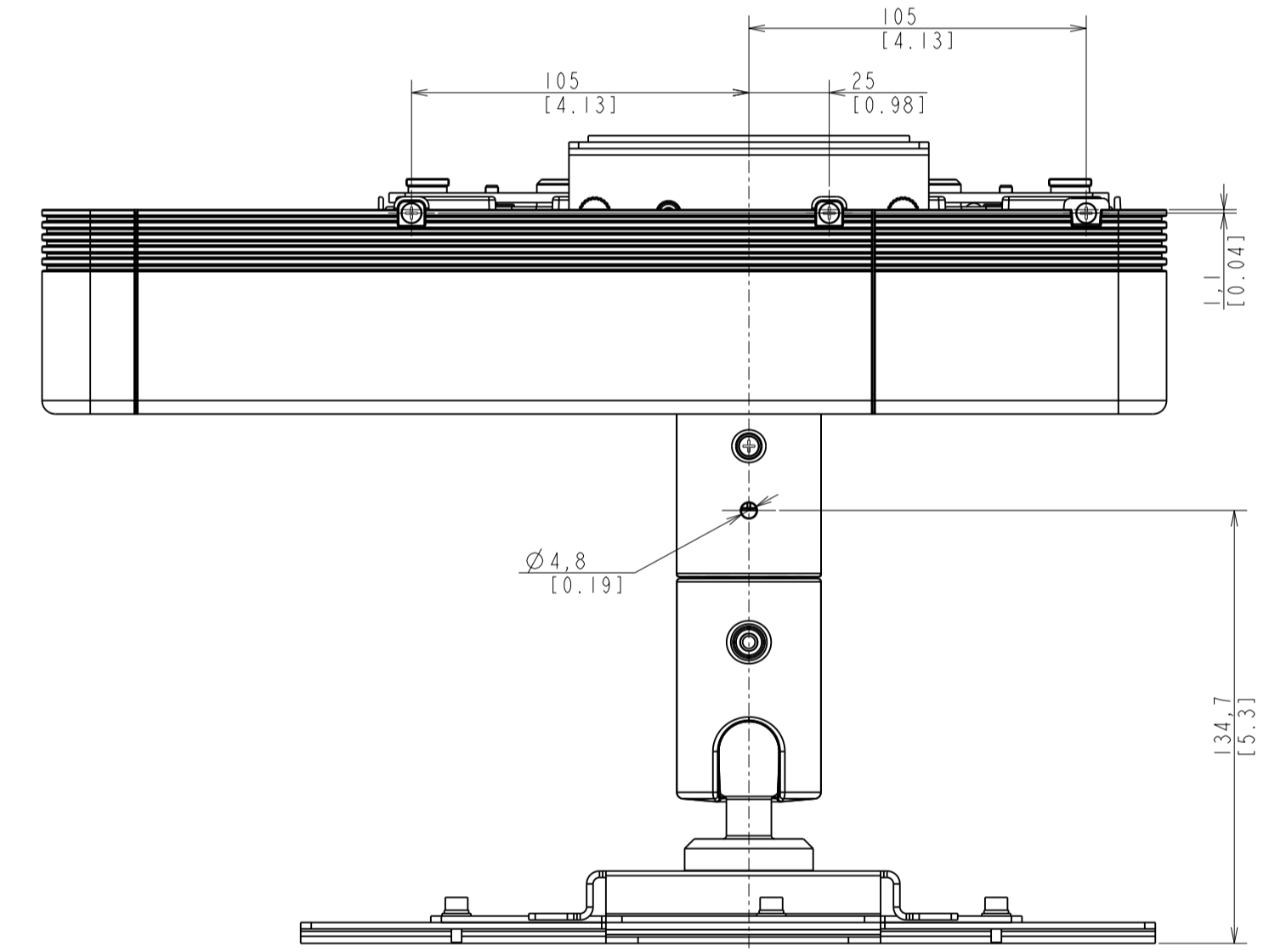
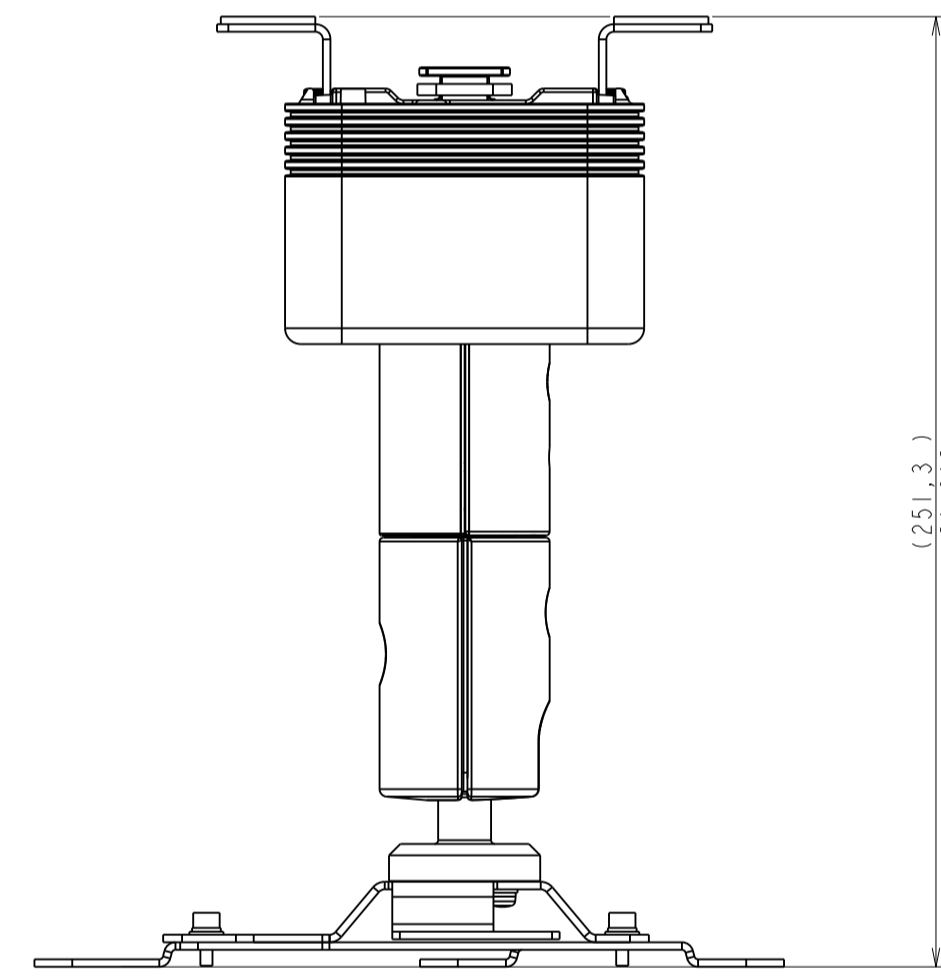
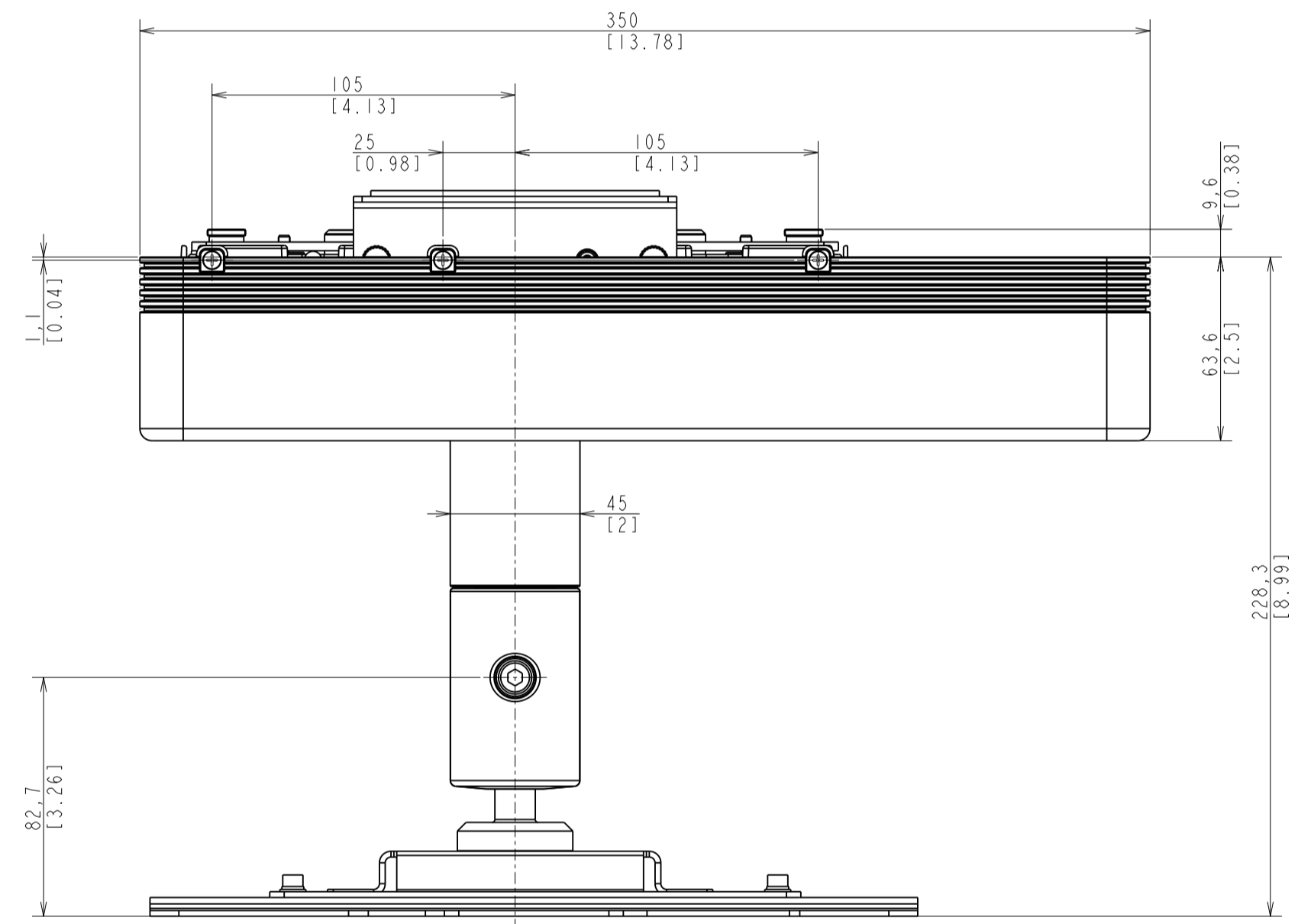
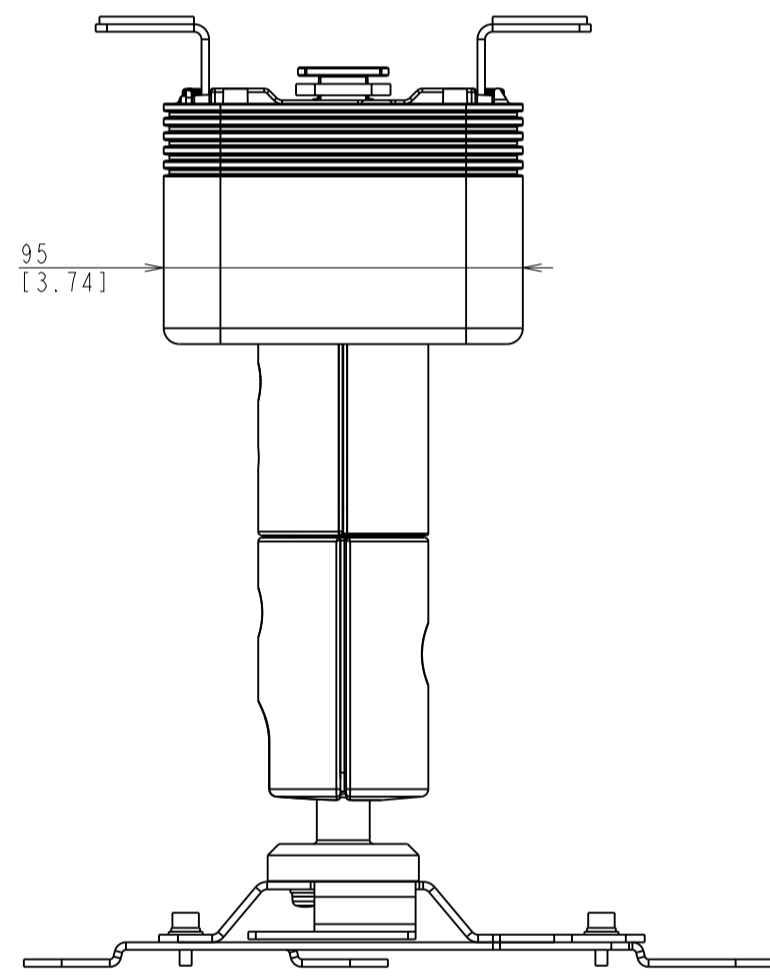


View with case removed



(NOTE)
 Unit of dimension
 Upper : mm
 Lower : inch