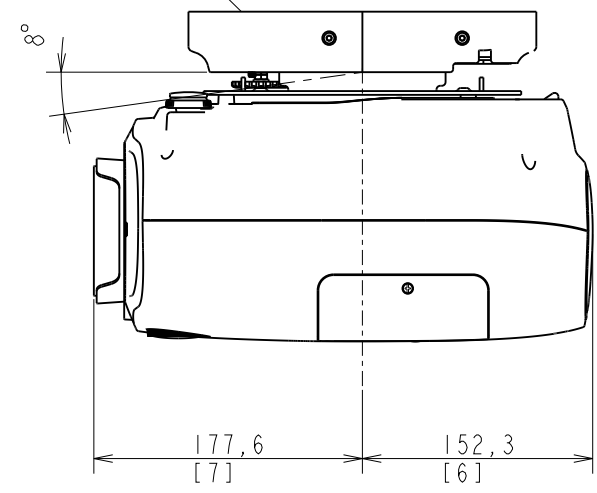


ELPMB30



Notes  
 Unit of dimension  
 Upper: mm  
 Lower: inch