

- EN** Setup Guide    **FR** Guide d'installation    **DE** Installationshandbuch    **IT** Guida di installazione    **ES** Guía de instalación    **PT** Manual de instalação  
**NL** Installatiehandleiding    **TR** Kurulum kılavuzu    **RU** Руководство по установке    **TC** 安裝說明    **KO** 설치가이드    **JA** セットアップガイド

- EN** Assembly    **FR** Assemblage    **DE** Montage    **IT** Montaggio    **ES** Montaje    **PT** Montagem  
**NL** Montage    **TR** Montaj    **RU** Сборка    **TC** 組裝    **KO** 설치    **JA** 取り付け

- ❑ If the printer option slot differs in shape from that shown in the illustration, refer to the instructions on a separate sheet.
- ❑ Si l'emplacement pour option de l'imprimante diffère dans la forme de ce que montre l'illustration, reportez-vous aux instructions sur une feuille séparée.
- ❑ Wenn sich der Optionssteckplatz des Druckers in der Form von der in der Abbildung gezeigten unterscheidet, beachten Sie bitte die Anweisungen auf einem separaten Blatt.
- ❑ Se la fessura opzionale della stampante differisce nella forma da quella mostrata nell'illustrazione, fare riferimento alle istruzioni su un foglio a parte.
- ❑ Si la ranura para accesorios de la impresora tiene una forma distinta a la mostrada en la imagen, consulte las instrucciones que se indican en una hoja independiente.
- ❑ Se a entrada opcional tiver uma forma diferente da mostrada na ilustração, consulte as instruções numa folha separada.

- ❑ Indien de optiesleuf van de printer verschilt in vorm van de getoonde illustratie, raadpleeg de instructies op een apart blad.
- ❑ Yazıcı seçenek yuvası çizimde gösterilen şekilden farklıysa, ayrı bir sayfadaki talimatlara başvurun.
- ❑ Если слот расширения принтера отличается по форме от того, который показан на рисунке, см. инструкции на отдельном листе.
- ❑ 若印表機的選購品插槽與圖示中的形狀不同，請參閱另一份文件的操作說明。
- ❑ 프린터의 옵션 슬롯 모양이 다음 그림과 다를 때에는 별지의 설치 방법을 참조하십시오.
- ❑ プリンターのオプションスロットの形状が掲載のイラストと異なるときは、別紙の取り付け方をご覧ください。

- ❑ For information on using this device, see the documentation provided with the printer.
- ❑ Pour toute information relative à l'utilisation de ce produit, reportez-vous aux documents qui accompagnent l'imprimante.
- ❑ Für Informationen zur Verwendung des Produktes, beachten Sie die Unterlagen, die dem Drucker beiliegen.
- ❑ Per informazioni sull'utilizzo di questo prodotto, consultare la documentazione fornita con la stampante.
- ❑ Para más información sobre el uso de este producto, consulte la información suministrada con la impresora.
- ❑ Para informações sobre como utilizar este produto, consulte a documentação fornecida com a impressora.

- ❑ Voor informatie over het gebruik van dit product, zie de documentatie die met de printer werd meegeleverd.
- ❑ Bu cihazın kullanımı hakkında bilgi almak için yazıcıyla birlikte verilen okumantasyona bakın.
- ❑ Для получения информации об использовании данного продукта, см. документацию, прилагаемую к принтеру.
- ❑ 關於如何使用此裝置的資訊，請參閱隨機內附的相關文件。
- ❑ 이 장치의 사용과 관련된 정보는 프린터와 함께 제공된 사용설명서를 참조하십시오.
- ❑ 本製品の使用方法はプリンターに付属のマニュアルをご覧ください。

**Trademarks**

EPSON®, EPSON EXCEED YOUR VISION, EXCEED YOUR VISION and their logos are registered trademarks or trademarks of Seiko Epson Corporation.

**EN For Users in North America**

**FCC Compliance Statement for United States Users**

This equipment complies with Part 15 of the FCC Rules. Operation is subject to the following two conditions: (1) this device may cause harmful interference, and (2) this device must accept any interference received, including interference that may cause undesired operation.

This equipment has been tested and found to comply with the limits for a Class B digital device, pursuant to Part 15 of the FCC Rules. These limits are designed to provide reasonable protection against harmful interference in a residential installation. This equipment generates, uses, and can radiate radio frequency energy and, if not installed and used in accordance with the instructions, may cause harmful interference to radio or television reception. However, there is no guarantee that interference will not occur in a particular installation. If this equipment does cause interference to radio and television reception, which can be determined by turning the equipment off and on, the user is encouraged to try to correct the interference by one or more of the following measures.

- ❑ Reorient or relocate the receiving antenna
- ❑ Increase the separation between the equipment and receiver
- ❑ Connect the equipment to an outlet on a circuit different from that to which the receiver is connected
- ❑ Consult your dealer or an experienced radio/TV technician for help

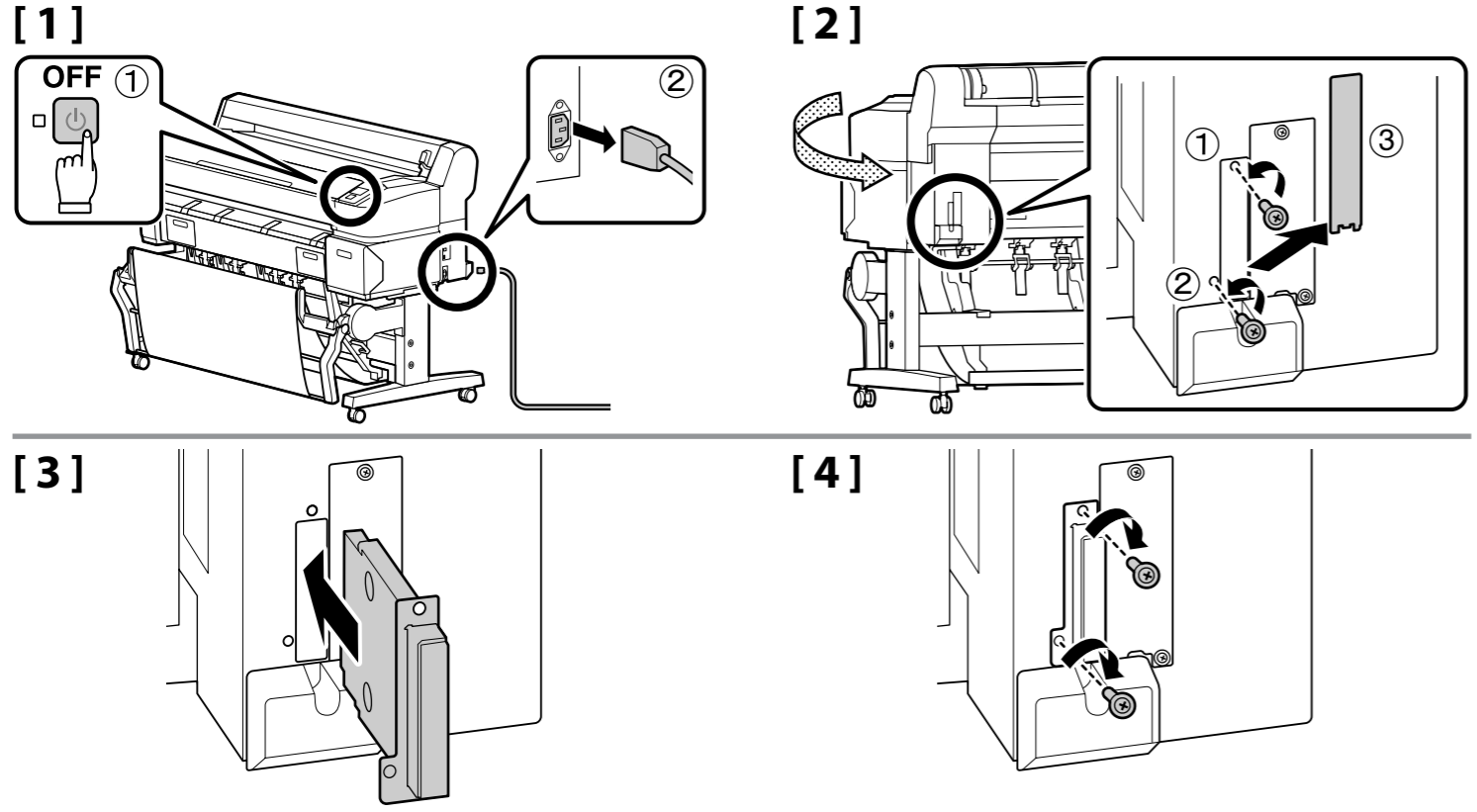
**WARNING**

The connection of a non-shielded equipment interface cable to this equipment will invalidate the FCC Certification of this device and may cause interference levels which exceed the limits established by the FCC for this equipment. It is the responsibility of the user to obtain and use a shielded equipment interface cable with this device. If this equipment has more than one interface connector, do not leave cables connected to unused interfaces. Changes or modifications not expressly approved by the manufacturer could void the user's authority to operate the equipment.

**For Canadian users**

This Class B digital apparatus complies with Canadian ICES-003.

Cet appareil numérique de la classe B est conforme à la norme NMB-003 du Canada.



- ❑ Store the removed cover, because you will use it when transporting the printer.
- ❑ Rangez le couvercle retiré, parce que vous l'utiliserez lors du transport de l'imprimante.
- ❑ Bewahren Sie die abgenommene Abdeckung auf, da Sie sie beim Transport des Druckers benötigen werden.
- ❑ Conservare la copertura rimossa, poiché si userà durante il trasporto della stampante.
- ❑ Guarde la cubierta extraída, ya que la usará al transportar la impresora.

- ❑ Armazene a tampa removida dado que a vai utilizar quando transportar a impressora.
- ❑ Bewaar de verwijderde bedekking, omdat u die nodig heeft bij het transporteren van de printer.
- ❑ Yazıcıyı taşıırken kullanılacağı için sokulen kapağı saklayın.
- ❑ Сохраните снятую крышку, так как Вы можете использовать ее при транспортировке принтера.
- ❑ 保存取下的護蓋，因為搬運印表機時會需要這個配件。
- ❑ 분리한 덮개는 프린터 이동 시 필요하므로 잘 보관하십시오.
- ❑ 取り外したカバーは再輸送時に必要となりますので、保管してください。



## Hard Disk Unit (C12C934551) / 硬盘部件 (C12C934551) / ハードディスクユニット (SCHDU3)

TR For Users in Turkey
<ul style="list-style-type: none"><li>AEEE Yönetmeliğine Uygundur</li></ul>
<ul style="list-style-type: none"><li>Ürünün Sanayi ve Ticaret Bakanlığınca tespit ve ilan edilen kullanma ömrü 5 yıldır.</li></ul>
<ul style="list-style-type: none"><li>Tüketicilerin şikayet ve itirazları konusundaki başvuruları tüketici mahkemelerine ve tüketici hakem heyetlerine yapilabilir.</li></ul>
Üretici: Seiko Epson Corporation Adres: 3-5, Owa 3-chome, Suwa-shi, Nagano-ken 392-8502 Japan Tel: 81-266-52-3131 Web: <a href="http://www.epson.com/">http://www.epson.com/</a>

UK For Users in Ukraine
Обладнання відповідає вимогам Технічного регламенту обмеження використання деяких небезпечних речовин в електричному та електронному обладнанні.

TC 此資訊僅適用於台灣地區 (Information for Users in Taiwan)	
<b>商品名稱</b>	製造商：Seiko Epson Corporation
產品名稱：硬碟 生產國別：見機體標示	地址：80 Harashinden, Hirooka, Shiojiri-shi, Nagano-ken, 399-0785, JAPAN 電話：81-263-52-2552
<b>功能規格</b>	進口商：台灣愛普生科技股份有限公司 地址：台北市信義區松仁路100號15樓 電話：(02)8786-6688（代表號）
<b>電力規格</b>	
5V  1.0A 3.3V  1.0A 只能使用印表機上所註明的電源規格。	

KO 전자파 적합성 기준의 사용자 안내문 (Information for Users In Korea)
<b>B급 기기 (가정용 방송통신기자재)</b>
이 기기는 가정용(B급) 전자파적합기기로서 주로 가정에서 사용하는 것을 목적으로 하며, 모든 지역에서 사용할 수 있습니다.

JA 商標・その他諸注意 (Information for Users in Japan)
<b>商標</b>
「EPSON」、 「EPSON EXCEED YOUR VISION」、 「EXCEED YOUR VISION」はセイコーエプソン株式会社の登録商標または商標です。その他の製品名は各社の商標または登録商標です。
<b>ご注意</b>

- 本書の内容の一部または全部を無断転載することを禁止します。
- 本書の内容は将来予告なしに変更することがあります。
- 本書の内容にご不明な点や誤り、記載漏れなど、お気付きの点がありましたら弊社までご連絡ください。
- 運用した結果の影響については前項に関わらず責任を負いかねますのでご了承ください。
- 本製品が、本書の記載に従わずに取り扱われたり、不適當に使用されたり、弊社および弊社指定以外の、第三者によって修理や変更されたことなどに起因して生じた障害等の責任は負いかねますのでご了承ください。

Information of EU Declaration of Conformity
<b>Information of EU Declaration of Conformity</b>
The full text of the EU declaration of conformity of this equipment is available at the following internet address. <a href="http://www.epson.eu/conformity">http://www.epson.eu/conformity</a>
<b>Informations de déclaration de conformité UE</b>
Le texte intégral de la déclaration de conformité UE de cet équipement est disponible à l'adresse internet suivante. <a href="http://www.epson.eu/conformity">http://www.epson.eu/conformity</a>
<b>Informationen zur EU-Konformitätserklärung</b>
Der vollständige Wortlaut der EU-Konformitätserklärung für dieses Gerät ist unter der folgenden Internetadresse verfügbar. <a href="http://www.epson.eu/conformity">http://www.epson.eu/conformity</a>
<b>Informazioni sulla Dichiarazione di conformità UE</b>
Il testo integrale della dichiarazione di conformità UE di questa apparecchiatura è disponibile al seguente indirizzo Internet. <a href="http://www.epson.eu/conformity">http://www.epson.eu/conformity</a>
<b>Información de la Declaración de conformidad con la UE</b>
El texto completo de la declaración de conformidad de este equipo con la UE está disponible en la siguiente dirección de Internet. <a href="http://www.epson.eu/conformity">http://www.epson.eu/conformity</a>
<b>Informações da Declaração de Conformidade da UE</b>
O texto completo da declaração de conformidade da UE para este equipamento está disponível no seguinte endereço de internet. <a href="http://www.epson.eu/conformity">http://www.epson.eu/conformity</a>
<b>Informatie van de EU-conformiteitsverklaring</b>
De volledige tekst van de EU-conformiteitsverklaring van deze apparatuur is beschikbaar op het volgende internetadres. <a href="http://www.epson.eu/conformity">http://www.epson.eu/conformity</a>